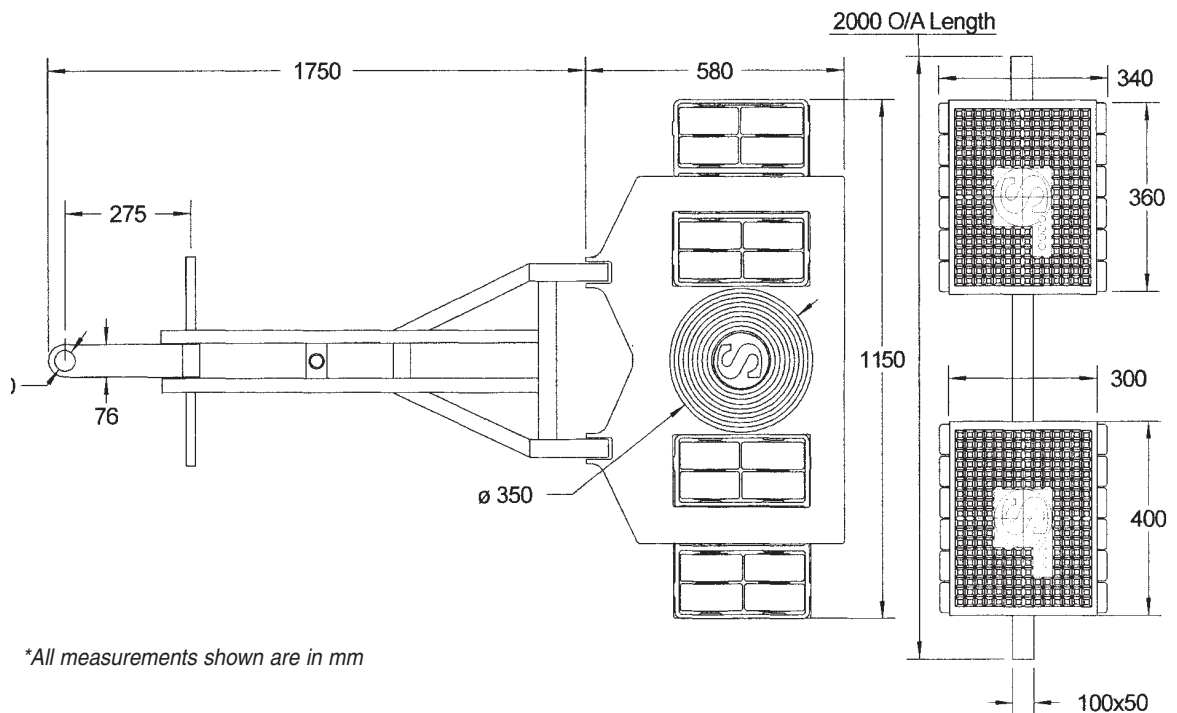


## TECHNICAL SPECIFICATION

**Model:** S60

**Description:** 60 tonne Nylon Wheeled Skates



Model	Capacity of system (tonnes)	Colour and quantity of wheels	Size of wheels (mm)	Turntable diameter (mm)	Overall height (mm)	Rear width adjustment (mm)	Boxed weight (kgs)
S60	60	Black x 48	115 x 54	350	170	800 to 2000	302

*“Moving Loads the Professional Way!”*