

The working load limit per set of 4 lugs is 32 tonnes at a maximum angle of inclination of 50° from vertical. The working load limit is 40 tonnes at maximum angle of inclination of 36° from vertical. The working load limit is 50 tonnes when used vertically.

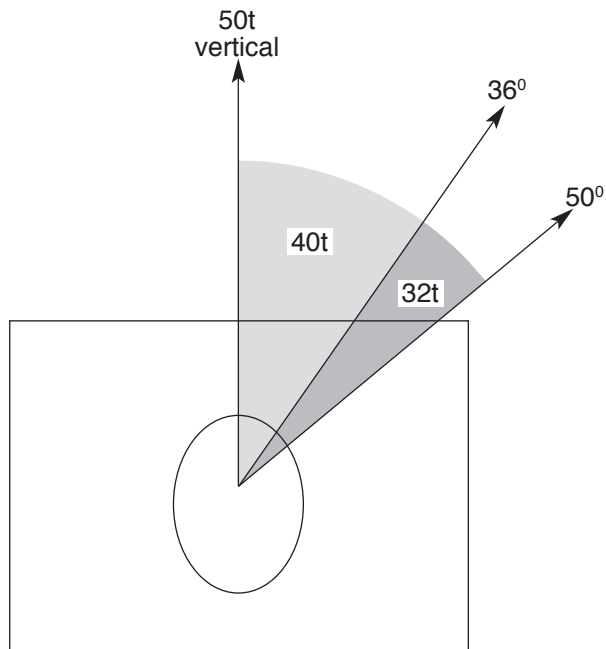
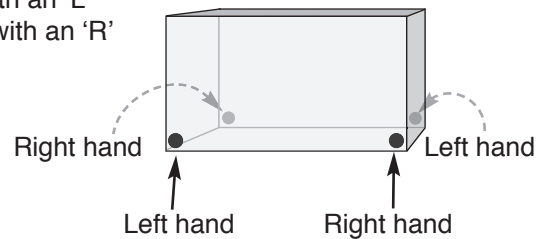
Check the marking on the lug. Each lug will be stamped with the maximum load and the angle of working for the set.

The degree of inclination permits the lifting of all but the largest containers with a simple beam.

These lugs cannot drop out when the slings become slack.

Lugs are handed left and right -

- Left hand lugs are marked with an 'L'
- Right hand lugs are marked with an 'R'



- **Container lifting lugs for bottom side lifting**

CLB

WLL 32 - 50 tonnes

Columbus McKinnon Corporation Limited
Knutsford Way,
Sealand Industrial Estate,
Chester
CH1 4NZ
United Kingdom

Tel: +44 (0) 1244 375375
Fax: +44 (0) 1244 377403
Email: sales.uk@cmco.eu
Web: www.cmco.eu



Model: CLB
Container lifting lugs for bottom side lifting
WLL 32 - 50 tonnes

To suit standard ISO corner boxes.

Type	WLL tonnes	Lifting sling angle °	Lifting eye diameter mm	Section size thick radiused mm	Section size deep radiused mm	Weight per set kgs
CLB	32	50°	45	40	38	18
CLB	40	36°	45	40	38	18
CLB	50	0°	45	40	38	18

FITTING INSTRUCTIONS:



1) Offer lug into slot. Left hand bottom side shown.



2) Enter lug to full extent.



3) Turn lug until spring bolt is fully engaged in slot.



4) Lug in lifting position.

• Pull spring bolt outwards to allow disengagement of the lug.