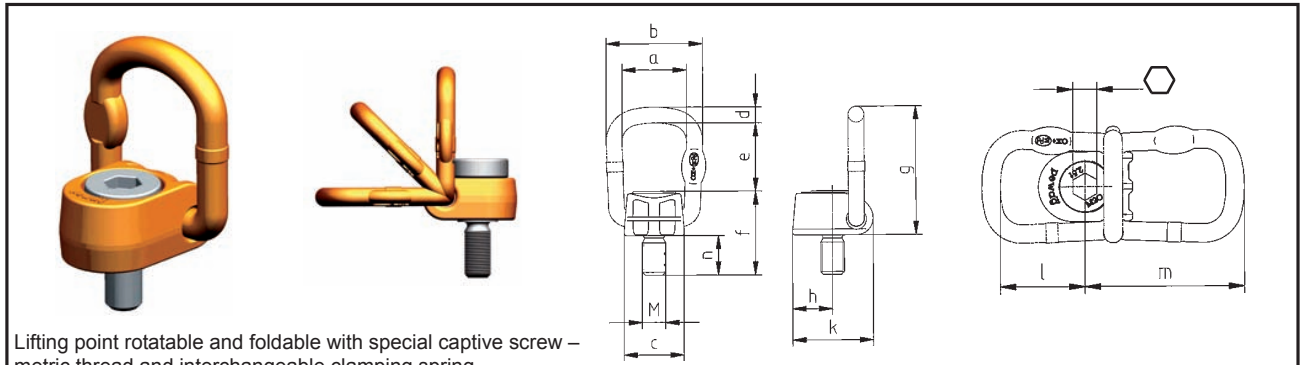



Lifting & lashing points

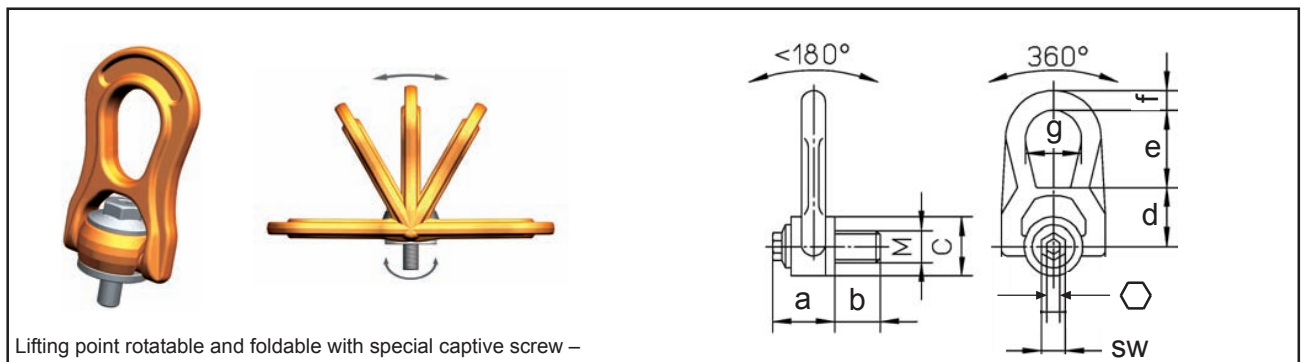
PLAW profilift alpha




Lifting point rotatable and foldable with special captive screw – metric thread and interchangeable clamping spring.

Code	Load capacity kg	Thread	Fastening torque [Nm]	a	b	c	d	e	f	g	h	k	l	m	n		Weight kg/pc.
PLAW 0.3*	300	M 8	35	45	67	40	11	44	70	91	23	55	47	85	33	6	0.48
PLAW 0.63	630	M 10	70	45	67	40	11	44	70	91	23	55	47	85	33	17	0.53
PLAW 1	1000	M 12	120	45	67	40	11	44	70	91	23	55	47	85	33	10	0.58
PLAW 1.5	1500	M 16	200	45	67	40	11	44	70	91	23	55	47	85	33	17	0.60
PLAW 2.5	2500	M 20	300	54	81	50	13	57	70	107	33	67	60	113	33	17	1.00
PLAW 4	4000	M 24	400	75	115	67	20	70	87	138	45	100	67	130	37	19	2.81
PLAW 6	6000	M 30	500	75	115	67	20	70	99	138	45	100	67	130	50	22	2.96
PLAW 7*	7000	M 26	800	75	115	67	20	70	105	138	45	100	67	130	56	27	3.05
PLAW 8	8000	M 36	800	93	147	85	27	90	117	180	52	120	85	174	54	27	5.91
PLAW 10	10000	M 42	1500	93	147	85	27	90	126	180	52	120	85	174	63	32	6.16
PLAW 15*	15000	M 42	1500	115	181	105	33	115	165	238	63	150	119	221	73	19	11.65
PLAW 20*	20000	M 48	2000	115	181	105	33	115	165	238	63	150	119	221	73	32	11.70

PLBW profilift beta



Lifting point rotatable and foldable with special captive screw – metric thread and interchangeable clamping spring.

Code	Load capacity kg	Thread	Fastening torque [Nm]	a	b	c	d	e	f	g		SW	Weight kg/pc.
PLBW 0.3	300	M 8	6	27.8	14.2	30	30.2	38	17.5	27	8	15	0.30
PLBW 0.6	600	M 10	10	27.8	16.2	30	30.2	38	17.5	27	8	15	0.31
PLBW 1	1000	M 12	15	27.8	18.2	30	30.2	38	17.5	27	8	15	0.32
PLBW 1.3	1300	M 14	30	43.2	22.3	45	45	55	25	38	10	24	1.03
PLBW 1.6	1600	M 16	50	43.2	24.3	45	45	55	25	38	10	24	1.04
PLBW 2	2000	M 18	70	43.2	27.3	45	45	55	25	38	10	24	1.07
PLBW 2.5	2500	M 20	100	43.2	30.3	45	45	55	25	38	10	24	1.08
PLBW 3	3000	M 22	120	64.1	33.4	67.5	67.8	85	37.5	58	14	36	3.52
PLBW 4	4000	M 24	160	64.1	36.4	67.5	67.8	85	37.5	58	14	36	3.55
PLBW 5	5000	M 27	200	64.1	40.4	67.5	67.8	85	37.5	58	14	36	3.60
PLBW 6.3	6300	M 30	250	64.1	45.4	67.5	67.8	85	37.5	58	14	36	3.68
PLBW 8	8000	M 33	270	106.3	53.7	108	108.8	132	60	91	19	55	14.32
PLBW 10	10000	M 36	320	106.3	58.7	108	108.8	132	60	91	19	55	14.43
PLBW 12.5	12500	M 42	400	106.3	68.7	108	108.8	132	60	91	19	55	14.72
PLBW 15	15000	M 48	600	106.3	73.7	108	108.8	132	60	91	19	55	15.03

* NOTE: When used for lashing, load capacities are doubled due to reduced safety factor of 2:1 for lashing against 4:1 for lifting!