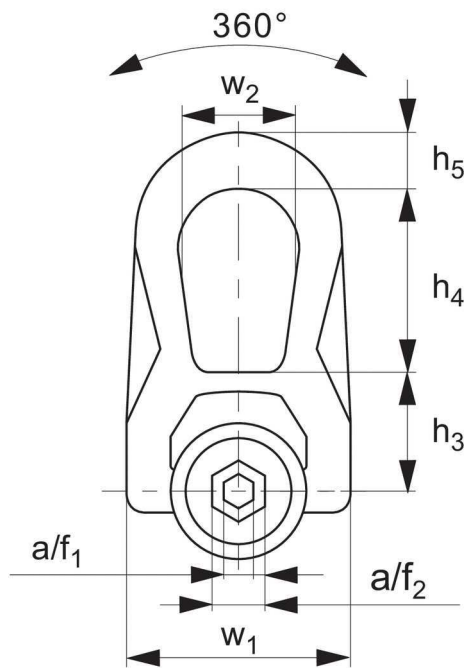
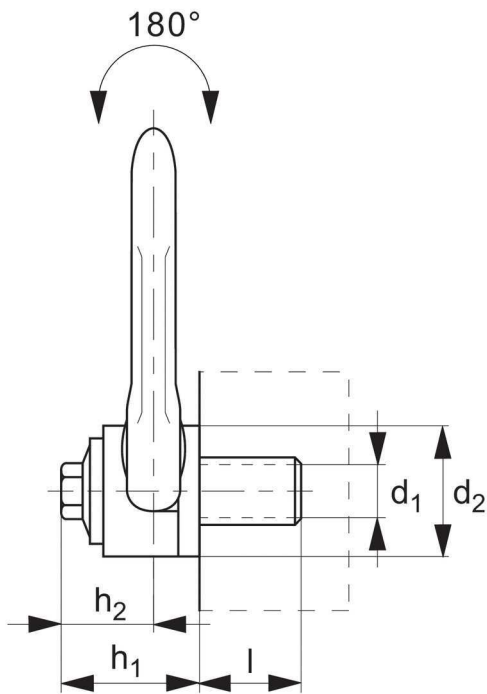


Swivel Lifting Rings - Double Swivel - Male

metric - coarse - stainless steel



63200



Material

High tensile stainless steel (316L), strength class >8. Supplied with CE certificate.

Technical Notes

Double articulation. Very low overhang for improved safety.

Large support surface. For use in temperatures from -20°C to +200°C. Can be used in lower or higher temperatures but this affects the load rating - please ask for more information.

Longer or shorter thread lengths can be supplied but please consult our technical department for this information if required. Please refer to our technical information pages when specifying and/or using.

Tips

Double articulation allows perfect alignment with the sling. With "automatic" position recovery system for best orientation to sling direction. Tighten by hex. key or spanner.

Important Notes

The thread diameter and depth must be appropriate to the material into which it will be installed:

Steel (min. ST37) - 1 x thread dia.

Cast iron - 1.25 x thread dia.

Aluminium - 2 x thread dia.

Other light metals - 2.5 x thread dia.

Tolerance of female thread to be 6H (metric) or UNC-2B (inch).

Order No.	Max. load tons	d ₁ tol. 6g	l	w ₁	h ₁	h ₂	h ₃	h ₄	h ₅	d ₂	w ₂	a/f ₁	a/f ₂	Safety factor	Torque to Nm	Δ± Kg
63200.W0008	0,3	M 8x 1,25	16	53	32	9,5	30	39	13	30	28	6	-	5	6	0,3
63200.W0009	0,3	M 8x 1,25	16	53	30	9,5	30	39	13	30	28	-	13	5	6	0,3
63200.W0010	0,5	M10x1,50	16	53	34	9,5	30	39	13	30	28	8	-	5	10	0,3
63200.W0011	0,5	M10x1,50	16	53	31	9,5	30	39	13	30	28	-	17	5	10	0,3
63200.W0012	0,8	M12x1,75	19	53	33	9,5	30	39	13	30	28	10	-	5	15	0,3
63200.W0013	0,8	M12x1,75	19	53	30	9,5	30	39	13	30	28	-	19	5	15	0,3
63200.W0014	1,0	M14x2,00	29	77	44	13	40	54	17	42	38	-	21	5	30	0,9
63200.W0016	1,5	M16x2,00	26	77	44	13	40	54	17	42	38	-	24	5	50	0,9
63200.W0018	1,5	M18x2,50	30	77	44	13	40	54	17	42	38	-	27	5	50	1,0
63200.W0020	1,6	M20x2,50	30	77	43	13	40	54	17	42	38	-	30	5	100	1,0
63200.W0022	2,0	M22x2,50	42	117	62	19	55	83	25	60	55	-	34	5	120	2,5
63200.W0024	2,7	M24x3,00	42	117	62	19	55	83	25	60	55	-	35	5	160	2,6
63200.W0027	2,8	M27x3,00	42	117	62	19	55	83	25	60	55	-	41	5	200	2,7
63200.W0030	3,0	M30x3,50	47	117	62	19	55	83	25	60	55	-	45	5	250	2,8