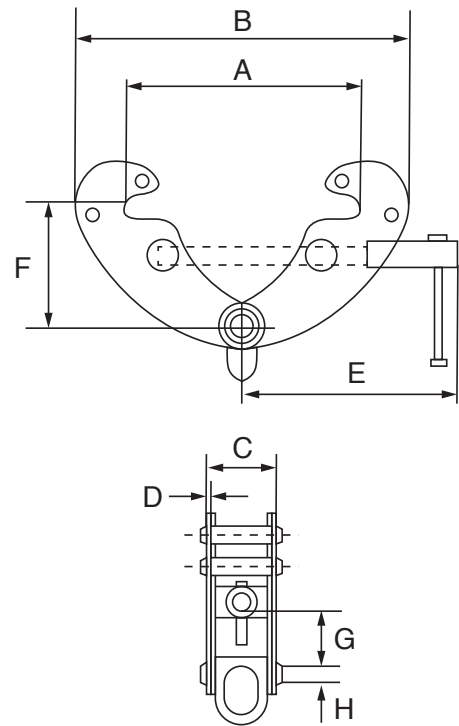


LES Adjustable Beam Clamp

YS Series



Finish	Black painted.
Standard	Meets the W.L.L. performance requirements of BS EN 13155.
Safety Factor	MBL equals 4 x W.L.L.
Markings	LES , CE , UK , mfg. date, capacity, beam range and serial number.
Notes	Easy and simple mounting. Adjustable to fit a wide range of flange widths and beams. Special jaw design applies the load away from the flange edge, thus reducing flange stress.
Certification	2.1 DoC



Product Code	W.L.L. kgs	Beam Range mm	A (max) mm	B (min) mm	B (max) mm	C mm	D mm	E mm	F (min) mm	F (max) mm	G (min) mm	Weight kgs
LESBC1	1,000	75 - 220	295	185	400	80	4	225	90	165	25	3.8
LESBC2	2,000	75 - 220	295	185	400	85	6	225	90	165	25	5
LESBC3	3,000	80 - 320	365	240	520	117	8	258	135	225	45	9
LESBC5	5,000	80 - 320	365	240	520	125	10	258	135	225	45	11
LESBC10	10,000	90 - 320	365	255	520	158	12	280	160	230	50	16